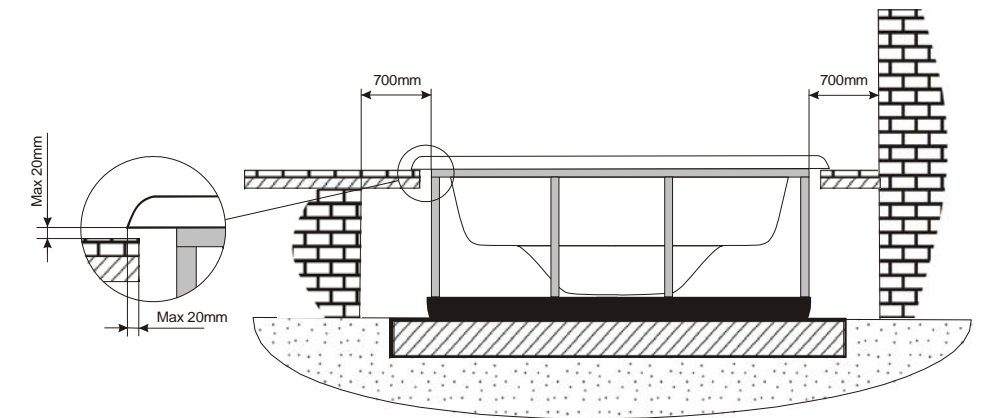


**Inground option**

**WARNING:**

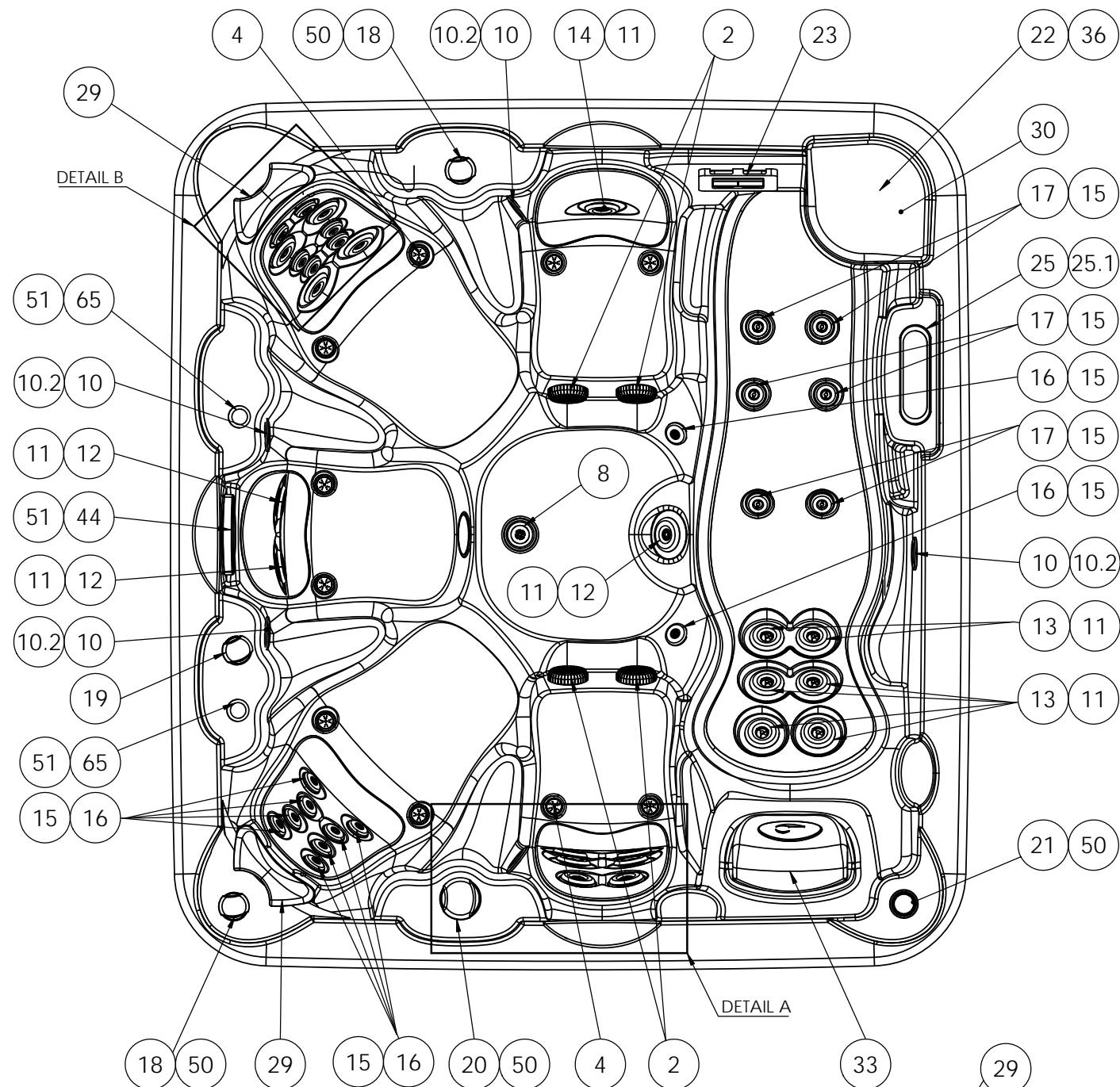
It's essential to keep a minimum clearance access of **700mm** all around.

↑  
ELECTRICAL BOARD CONNECTIONS ACCESS  
↑



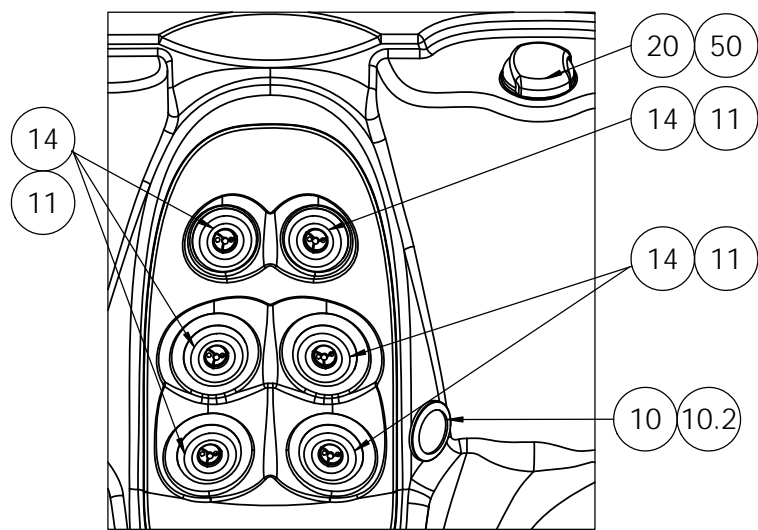
According to our policy of continuous improvement, dimensions, features or components of this product can be partially or completely changed without prior notice. It's Customer responsibility to verify that this is the last version of the drawing

05	26/11/2014	I.Pozo	New templates
04	21/05/2012	I.Nicolas	Drawing Release
Change No.	Date	Name	Modification
Remarks			COMMERCIAL
Dimensions in mm. General Tolerances +/- 10mm			
Drawn	11/04/2011	J.Jorba	Part Number <b>36624</b>
Checked	11/04/2011	I.Nicolas	
Scale 1:15	General Tolerance DIN 7168 ISO 2768g		Rev. <b>05</b>
Sheet 1/2			

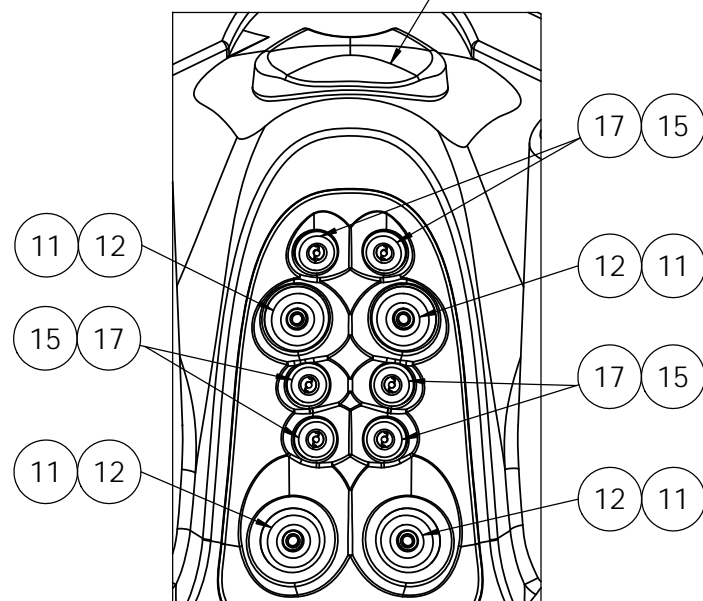


DETAIL B

DETAIL A

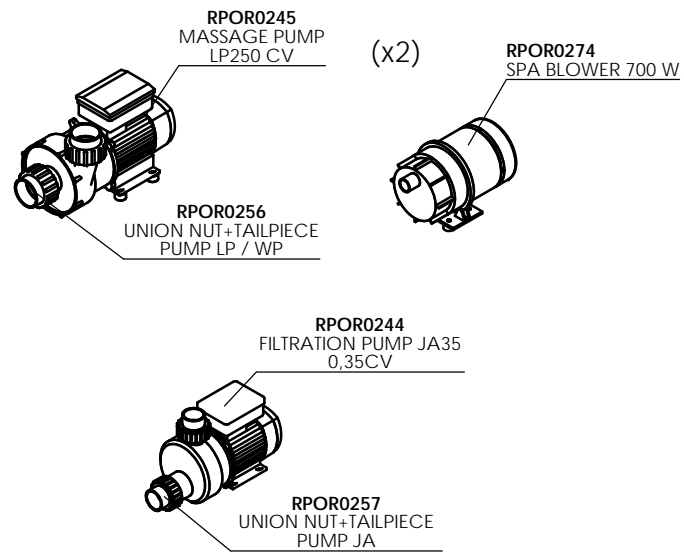


A (1 : 10)

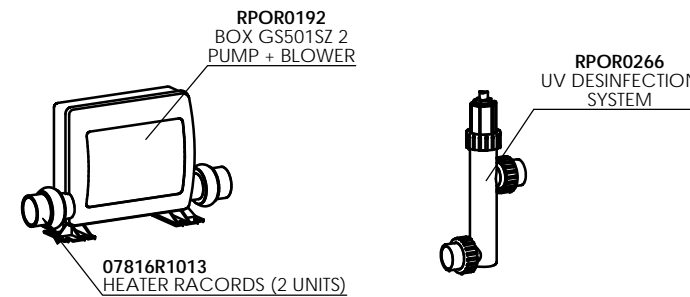


B (1 : 10)

**PUMPS SPARE CODES**

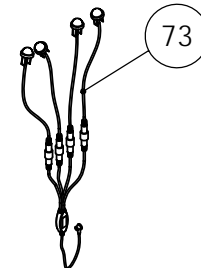


**HEATER AND DESINFECTATION SPARE CODES**

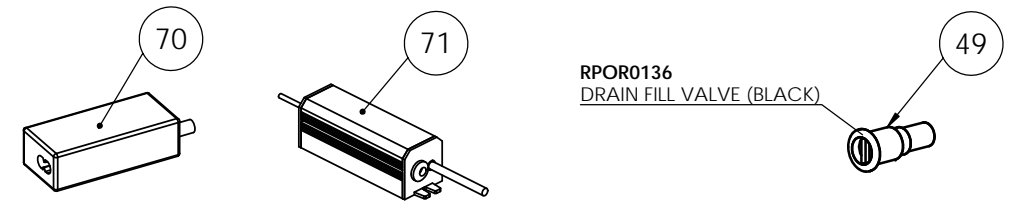


RPOR0101 - TEMPERATURE PROBES GS I GL (x 2)  
 RPOR0105 - HEATER 3 KW GS I GL  
 RPOR0197 - DIGITAL PANEL GS501SZ  
 RPOR0193 - EXPANDER BOARD KIT FOR SISTEM GS501SZ

**PURE LINE LIGHTING SPARE CODE**



**LIGHT COMPONENTS SPARE CODE**



According to our policy of continuous improvement, dimensions, features or components of this product can be partially or completely changed without prior notice. It's Customer responsibility to verify that this is the last version of the drawing

ACCESSORIES			
Position Num.	Part Nº SPARE	Description SPARE	Quant.
2	RPOR0225	GREY SPA DRAIN 2" ADAPTOR SOCKET D.50	4
4	REMP0046	WHITE-STAINLESS STEEL AIR NOZZLE	10
8	RPOR0003	GREY DRAIN SET - BODY+COVER+ASSEMBLY	1
10	RPOR0239	SPOTLIGHT LED SET RD	5
10.2	RPOR0252	LED SLAVE LIGHT	5
11	RPOR0236	JET BODY SET RD 3"	20
12	RPOR0231	FRONTAL JET 3" STAINLESS STEEL DIRECTIONAL	7
13	RPOR0232	FRONTAL JET 3" STAINLESS STEEL 1 JET ROTO	6
14	RPOR0233	FRONTAL JET 3" STAINLESS STEEL TWIN ROTO	7
15	RPOR0235	JET BODY SET RD 2"	24
16	RPOR0230	FRONTAL JET 2" STAINLESS STEEL DIRECTIONAL	12
17	RPOR0260	JET TWIN ROTO 2" INOX	12
18	RPOR0261	VENTURY CONTROLLER SS	2
19	RPOR0263	VALVE ON-OFF 1" SS	1
20	RPOR0262	3 WAYS SS VALVE 2"	1
21	RPOR0264	AROMA DISPENSER ASM LIT	1
22	RPOR0119	PRESSURE FILTER 2"	1
23	RPOR0178	SKIMMER FILTER GRIS for preassure filter	1
25	RPOR0196	DIGITAL PANEL VL700+COVER 2 PUMP + BLOWER	1
25.1	RPOR0202	COVER DIGITAL PANEL VL700 2 PUMP + BLOWER	1
29	RPOR0095	SMALL HEADREST - PACIFIC-ANTARTIC	2
30	RPOR0156	SKIMFILTER COVER	1
33	RPOR0094	BIG HEADREST - PACIFIC-ANTARTIC-EVOLUTION	1
36	RPOR0120	PRESSURE FILTER CARTRIDGE	1
44	RPOR0278	SS 7" WATERFALL	1
49	RPOR0136	DRAIN FILL VALVE (BLACK)	1
50	RPOR0267	4 LEDS LIGHTS POINTS	5
51	RPOR0268	1 LED LIGHT POINT	4
65	RPOR0284	FOUTAIN POP-UP	2
70	RPOR0280	LEDS TRANSFORMER 5V DC	1
71	RPOR0281	LEDS CONTROLER	1
73	RPOR0259	CABLE 4 OUTPUTS + LEDS	4

05	26/11/2014	I.Pozo	New templates	
04	21/05/2012	I.Nicolas	Drawing Release	
Change No.	Date	Name	Modification	
Remarks				
Dimensions in mm. General Tolerances +/- 10mm				
Drawn	11/04/2011	J.Jorba		
Checked	11/04/2011	I.Nicolas		
Scale	1:15			General Tolerance
Sheet	2/2			DIN 7168 ISO 2768g
			SPARE PARTS DRAWING	
Part Number		36624	Rev.	
		05	First Angle Projection	