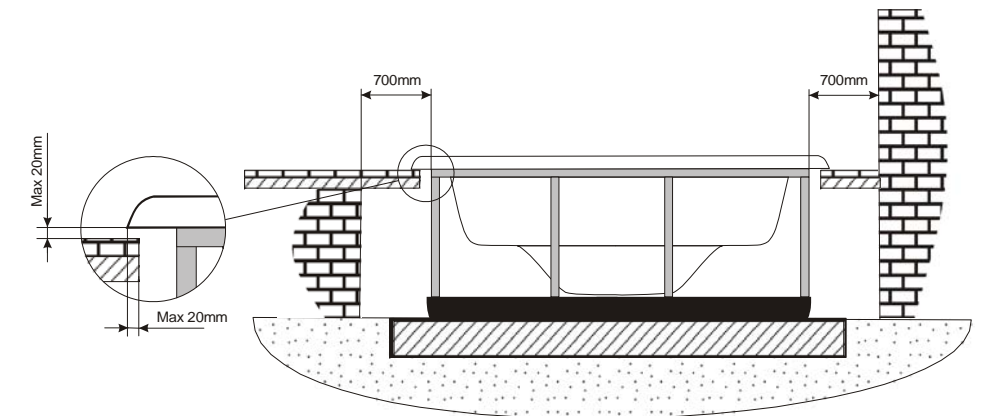


Inground option

WARNING:
It's essential to keep a minimum clearance access of **700mm** all around.

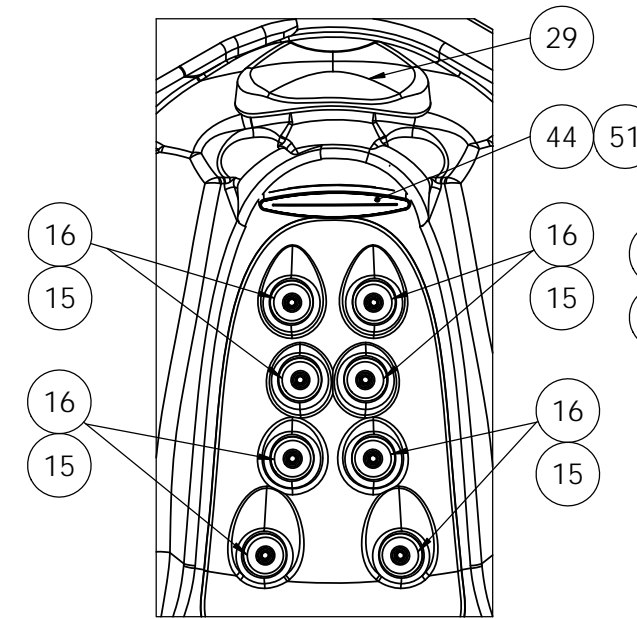
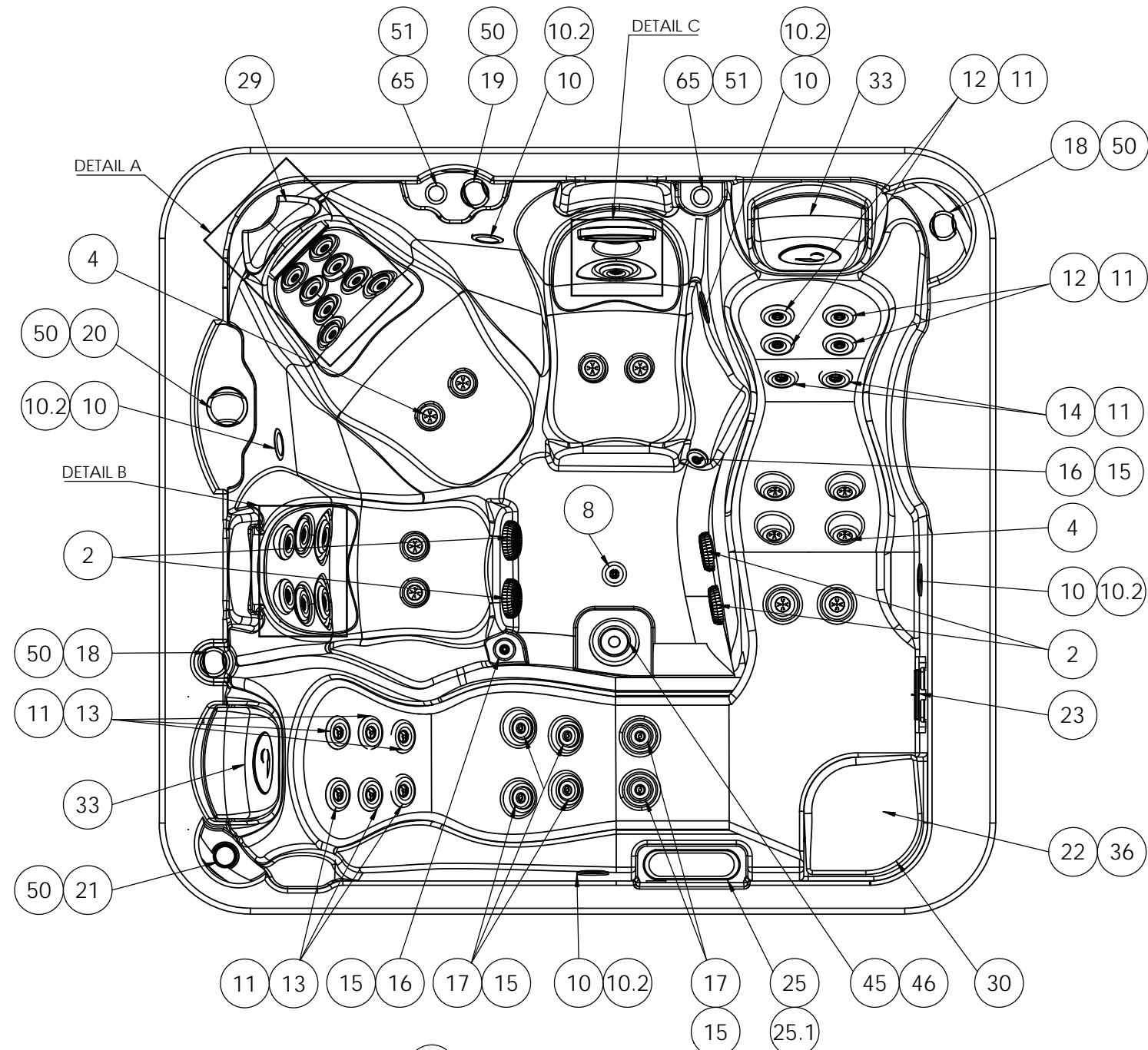


↑
↑
ELECTRICAL BOARD CONNECTIONS ACCESS

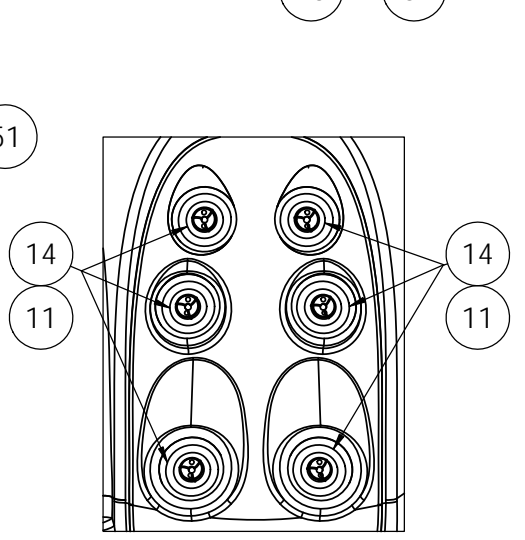
According to our policy of continuous improvement, dimensions, features or components of this product can be partially or completely changed without prior notice.
It's Customer responsibility to verify that this is the last version of the drawing

06	26/11/2014	I.Pozo	Add light components and pure line
05	22/10/2014	I.Pozo	Change scale and new spare template
04	02/06/2014	I.Pozo	New templates
03	28/01/2013	I.Pozo	Drawing update
02	16/09/2008	--	Drawing update
Change No.	Date	Name	Modification

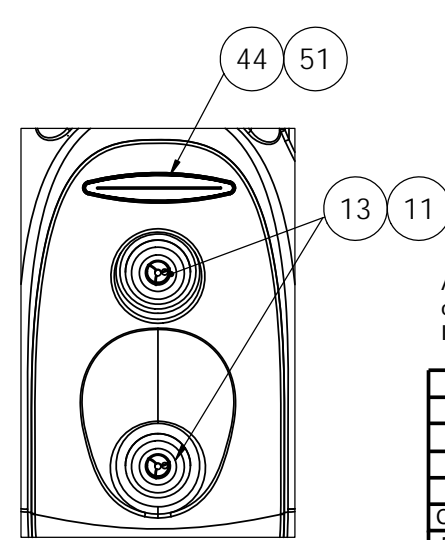
Remarks Dimensions in mm. General Tolerances +/- 10mm		COMMERCIAL			
Drawn	06/02/2008		Part Number	Rev.	First Angle Projection
Checked	--		41909	06	
Scale	1:15				
Sheet	1/2				
General Tolerance DIN 7168 ISO 2768g					



A (1 : 10)

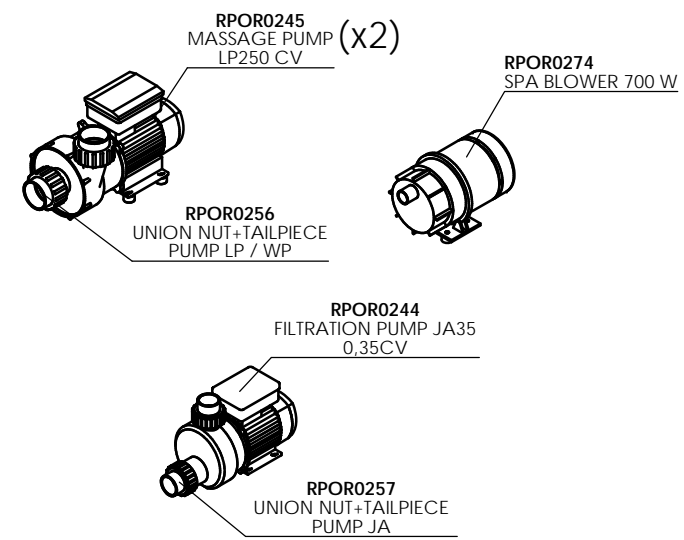


B (1 : 10)

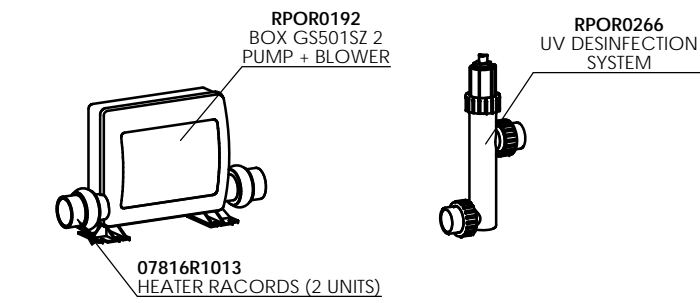


C (1 : 10)

PUMPS SPARE CODES

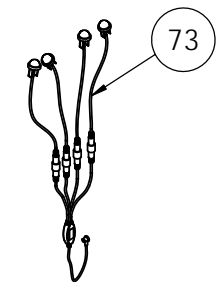


HEATER AND DESINFECTATION SPARE CODES

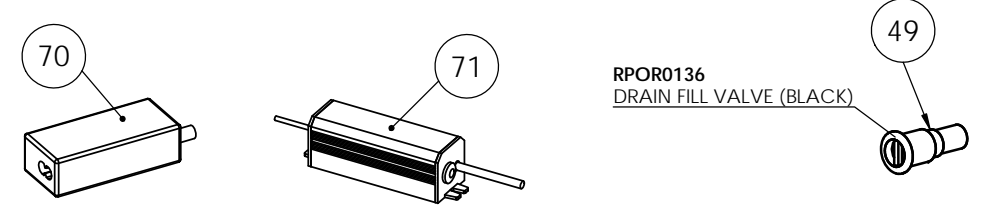


RPOR0101 - TEMPERATURE PROBES GS I GL (x 2)
 RPOR0105 - HEATER 3 KW GS I GL
 RPOR0197 - DIGITAL PANEL GS501SZ
 RPOR0193 - EXPANDER BOARD KIT FOR SISTEM GS501SZ

PURE LINE LIGHTING SPARE CODES



LIGHT COMPONENTS SPARE CODES



According to our policy of continuous improvement, dimensions, features or components of this product can be partially or completely changed without prior notice. It's Customer responsibility to verify that this is the last version of the drawing

Change No.	Date	Name	Modification
06	26/11/2014	I.Pozo	Add light components and pure line
05	22/10/2014	I.Pozo	Change scale and new spare template
04	02/06/2014	I.Pozo	New templates
03	28/01/2013	I.Pozo	Drawing update
02	16/09/2008	--	Drawing update

Remarks
 Dimensions in mm. General Tolerances +/- 10mm

Drawn	06/02/2008	
Checked	--	I.Nicolas
Scale	1:15	General Tolerance DIN 7168 ISO 2768g
Sheet	2/2	



SPARE PARTS DRAWING

Part Number	41909	Rev.	06	First Angle Projection
-------------	-------	------	----	------------------------

ACCESSORIES			
Position Num.	Part Nº SPARE	Description SPARE	Quant.
2	RPOR0225	GREY SPA DRAIN 2" ADAPTOR SOCKET D.50	4
4	REMP0046	WHITE-STAINLESS STEEL AIR NOZZLE	12
8	RPOR0003	GREY DRAIN SET - BODY+COVER+ASSEMBLY	1
10	RPOR0239	SPOTLIGHT LED SET RD	5
10.2	RPOR0252	LED SLAVE LIGHT	5
11	RPOR0236	JET BODY SET RD 3"	20
12	RPOR0231	FRONTAL JET 3" STAINLESS STEEL DIRECTIONAL	4
13	RPOR0232	FRONTAL JET 3" STAINLESS STEEL 1 JET ROTO	8
14	RPOR0233	FRONTAL JET 3" STAINLESS STEEL TWIN ROTO	8
15	RPOR0235	JET BODY SET RD 2"	16
16	RPOR0230	FRONTAL JET 2" STAINLESS STEEL DIRECTIONAL	10
17	RPOR0260	JET TWIN ROTO 2" INOX	6
18	RPOR0261	VENTURY CONTROLLER SS	2
19	RPOR0263	VALVE ON-OFF 1" SS	1
20	RPOR0262	3 WAYS SS VALVE 2"	1
21	RPOR0264	AROMA DISPENSER ASM LIT	1
22	RPOR0119	PRESSURE FILTER 2"	1
23	RPOR0178	SKIMMER FILTER GRIS for preassure filter	1
25	RPOR0196	DIGITAL PANEL VL700+COVER 2 PUMP + BLOWER	1
25.1	RPOR0202	COVER DIGITAL PANEL VL700 2 PUMP + BLOWER	1
29	RPOR0095	SMALL HEADREST - PACIFIC-ANTARTIC	1
30	RPOR0156	SKIMFILTER COVER	1
33	RPOR0094	BIG HEADREST - PACIFIC-ANTARTIC-EVOLUTION	2
36	RPOR0120	PRESSURE FILTER CARTRIDGE	1
44	RPOR0278	SS 7" WATERFALL	2
45	RPOR0234	FRONTAL JET 5" STAINLESS STEEL DIRECTIONAL	1
46	RPOR0237	JET BODY SET RD 5"	1
49	RPOR0136	DRAIN FILL VALVE (BLACK)	1
50	RPOR0267	4 LEDS LIGHTS POINTS	5
51	RPOR0268	1 LED LIGHT POINT	6
65	RPOR0284	FOUNTAIN POP-UP	2
70	RPOR0280	LEDS TRANSFORMER 5V DC	1
71	RPOR0281	LEDS CONTROLER	1
73	RPOR0259	CABLE 4 OUTPUTS + LEDS	4